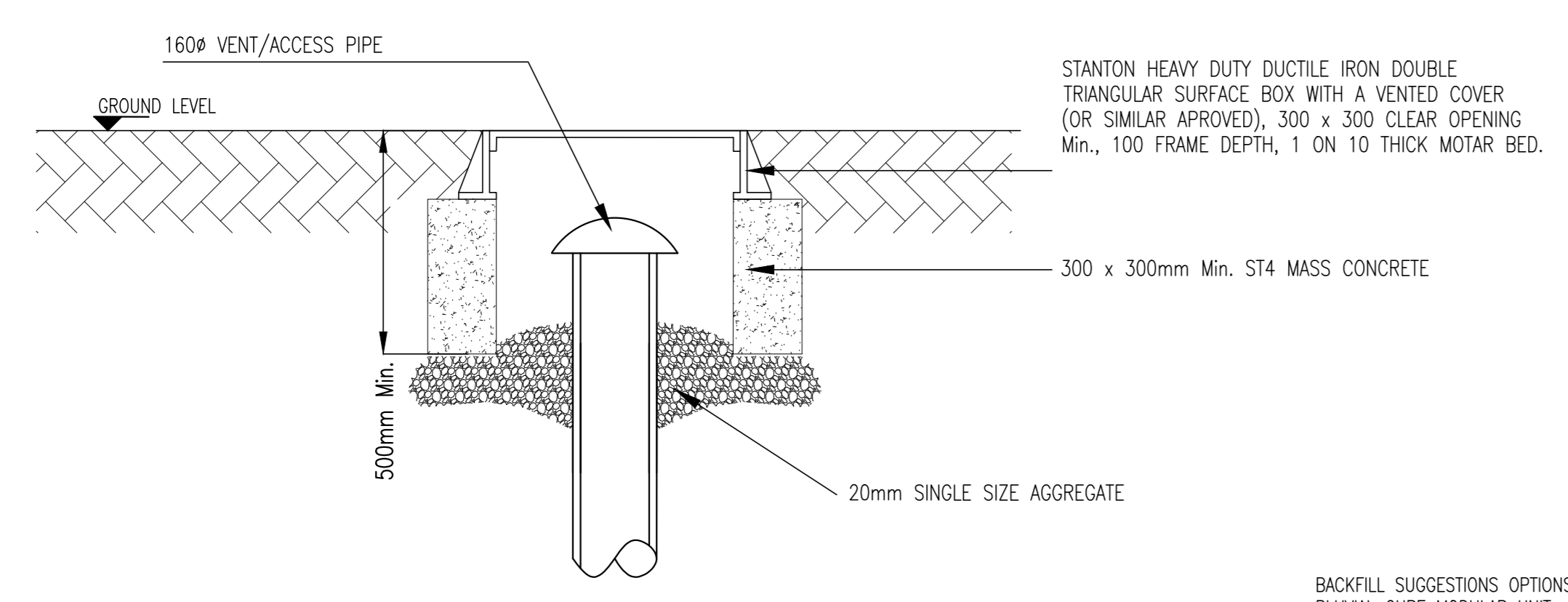
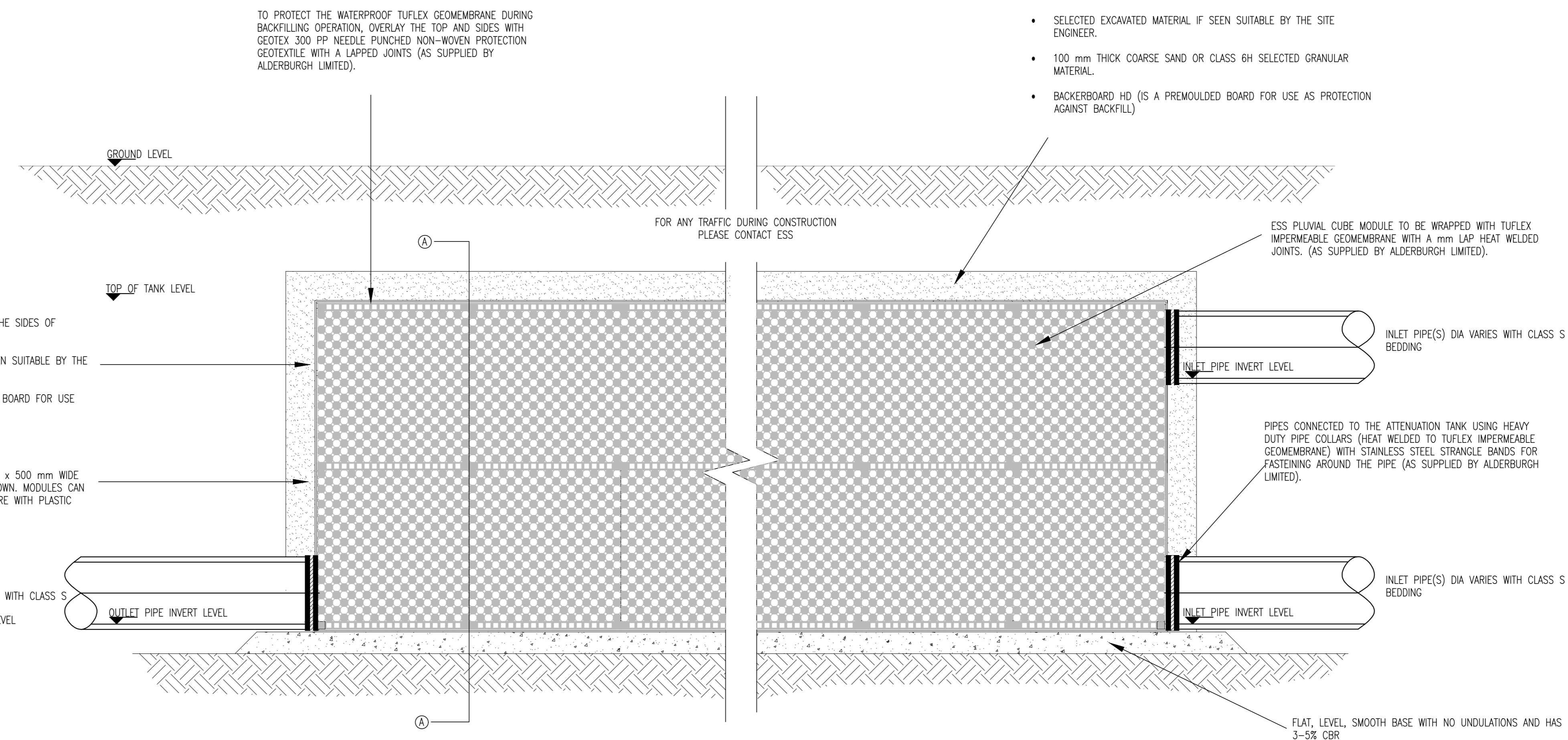


SECTION THROUGH DETENTION BASIN WITH UNDERGROUND PLUVIAL CUBE STORAGE
SCALE 1:100



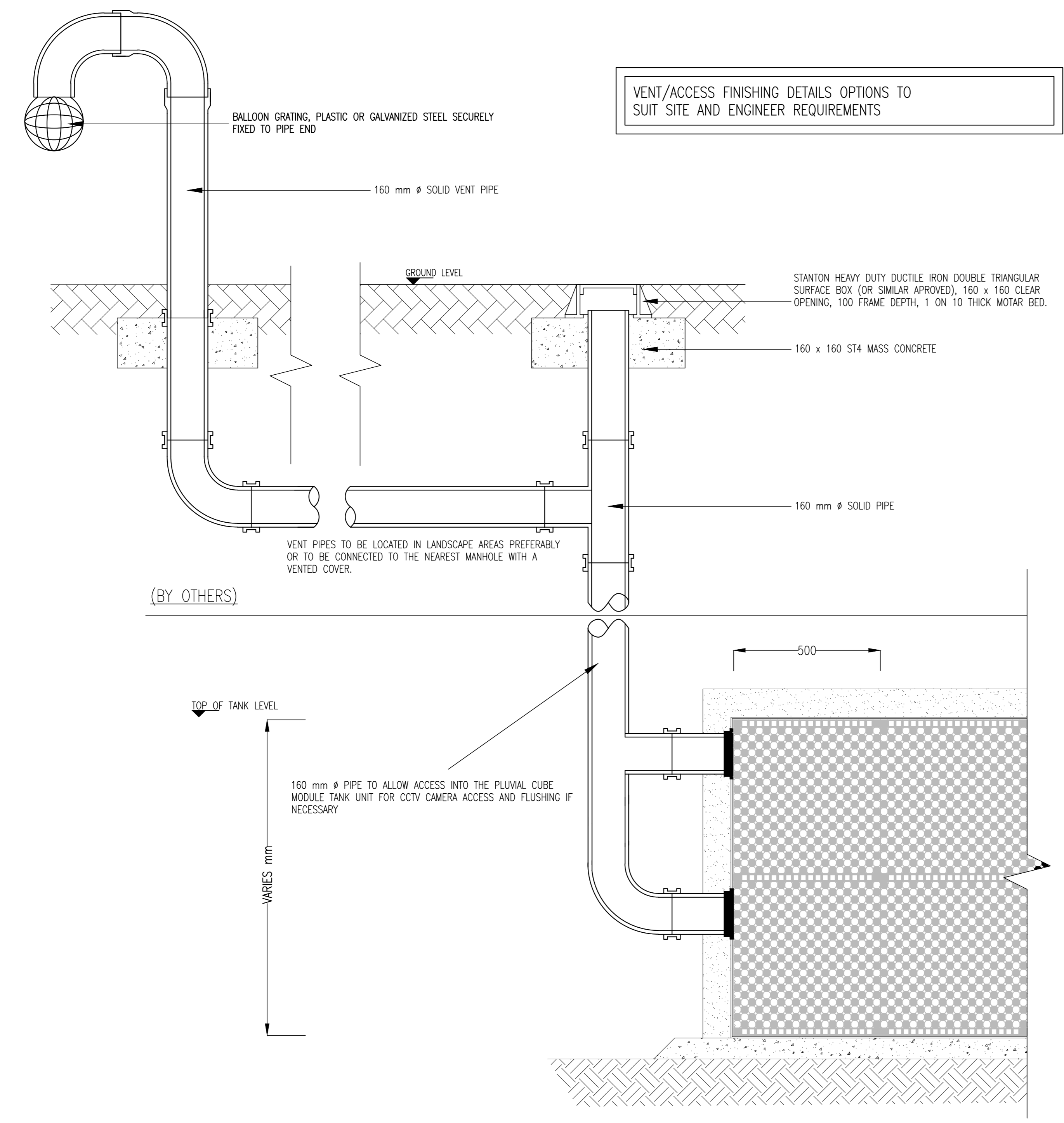
VENT BOX DETAIL
BY OTHERS
(OPTION 2)

A 3 - 5% CBR HAS BEEN ASSUMED AT SUB-BASE LEVEL SHOULD THE CBR BE TESTED AND FOUND TO BE LESS THAN 3% THEN THE ENGINEER SHALL BE NOTIFIED. ALSO, ANY SOFT SPOTS FOUND AT SUB-BASE LEVEL SHALL BE REPORTED TO THE ENGINEER



TYPICAL OUTLET PIPE CONNECTION TYPICAL INLET PIPE CONNECTION

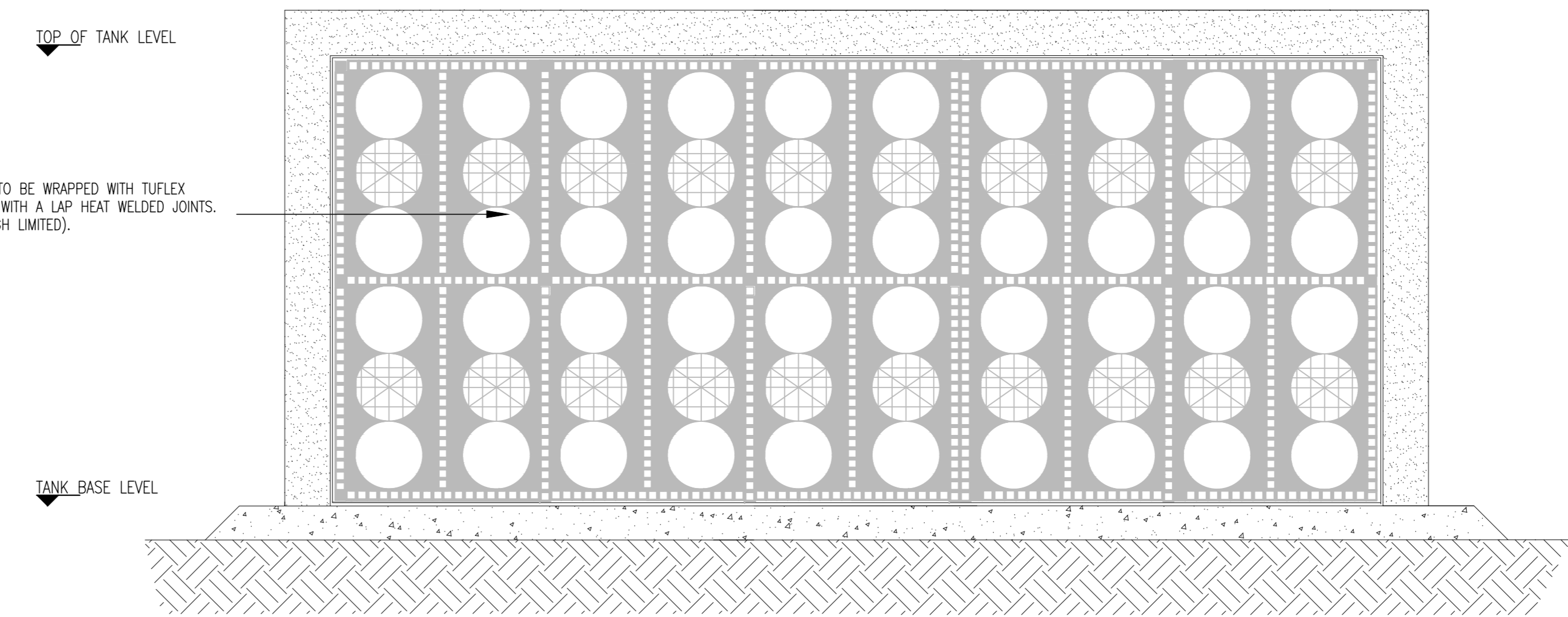
TYPICAL DETAILS OF ATTENUATION TANK USING PLUVIAL CUBE MODULE UNITS



TYPICAL 160mm VENT/ACCESS PIPE CONNECTION
OPTION 1

INLET/OUTLET PIPES MUST BE SUPPORTED WITH CONCRETE TO PROTECT IT DURING BACKFILLING

THE CONTRACTOR SHALL PROHIBIT THE MOVEMENT OF CONSTRUCTION PLANT ACROSS THE STORAGE TANK AND WHERE NECESSARY PROVIDE ADDITIONAL SUPPORT AND PROTECTION TO THE STRUCTURE. PARTICULARLY POST CONSTRUCTION. TEMPORARY FENCING CAN BE USED TO PROHIBIT TRADE STOCKS, PILING MATERIALS, HEAVY PLANTS ETC.,



TYPICAL DETAILS OF ATTENUATION TANK USING PLUVIAL CUBE MODULE UNITS
SECTION A-A

NOTE:
ALL WORKS & SPECIFICATIONS TO BE UNDERTAKEN IN ACCORDANCE WITH:
• THE SPECIFICATION FOR ROADWORKS
• GREATER DUBLIN CODE OF PRACTICE FOR DRAINAGE WORKS
• RECOMMENDATIONS FOR SITE DEVELOPMENT WORKS

| | | | |
|--|----------------------------|-------|------------|
| ISSUED FOR PLANNING | APPROVED | DATE | BY |
| DESCRIPTION | A - Approved | | |
| | B - Approved with comments | | |
| | C - Do not use | | |
| ISSUE PURPOSE | PLANNING | | |
| ISSUE INFORMATION | | | |
| | | | |
| DBFL OFFICE: 10000000, Upper Orchard Quay, Dublin 1, D07 W016 PHONE: +353 1 454 6600 COMPANY: 10000000, Mariner Road, Cork, T12 W177 PHONE: +353 21 494 0000 FAX: +353 21 494 0000 | | | |
| PROJECT: 180176-DBFL-XX-XX-DR-C-5007 | | | |
| PROJECT REF: 180176-DBFL-XX-XX-DR-C-5007 | | | |
| PROJECT LOCATION: 180176-DBFL-XX-XX-DR-C-5007 | | | |
| DRAWING TITLE: ATTENUATION STRUCTURE DETAILS | | | |
| ARCHITECT: DELPHI ARCHITECTS | | | |
| DESIGNED BY | AUTHOR | SCALE | SHEET SIZE |
| LMCL | KGD | A5 | A0 |
| DRAWING NO. | PROJECT NO. | DATE | ISSUE NO. |
| 180176-DBFL-XX-XX-DR-C-5007 | P01 | | |